

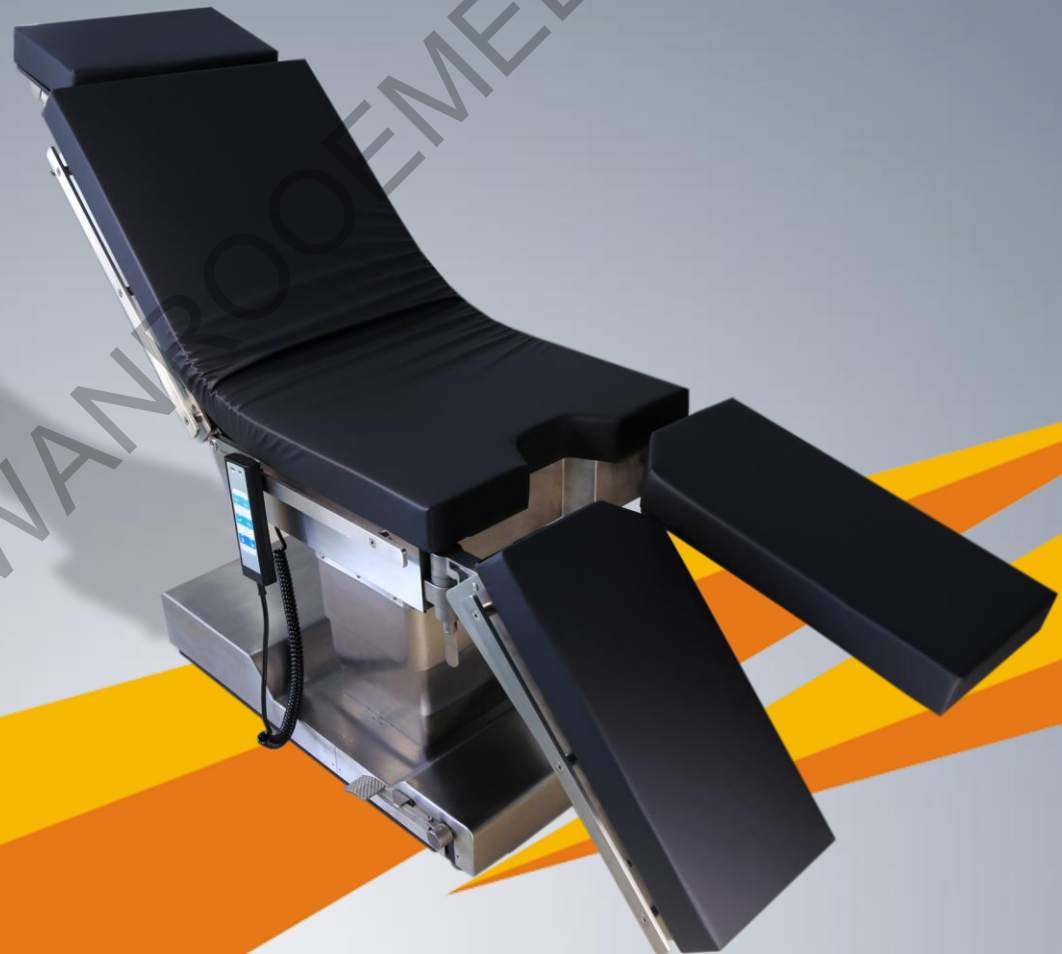
# WANROOEMED

YOUR IDEAL OPERATING TABLE SUPPLIER  
MEET THE VARIOUS REQUIREMENTS OF GENERAL SURGERY

## AOT100

2016

Electro-hydraulic  
Operating Table

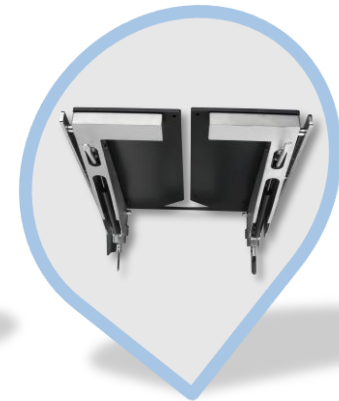


**Engineered for increasingly complex surgical scenes, AOT100 comes with intelligent automatic control system satisfying various demands of general surgeries.**

- *510 mm minimum and 810 mm maximum heights, for comfortable working, both seated and standing*
- *Memory pad with antistatic, waterproof design*
- *Optional Battery power for 50-80 operations*



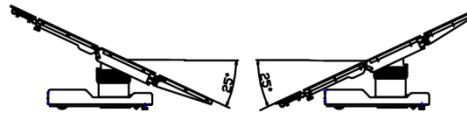
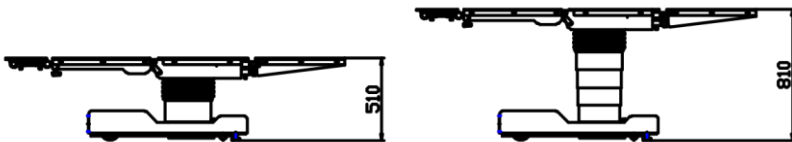
# AOT100 2016 Details



# AOT100 2016 Technical Specification

## Dimensions

Full Length	2090mm
Width	550mm
Height (Lowest)	510mm
Height (Highest)	810mm

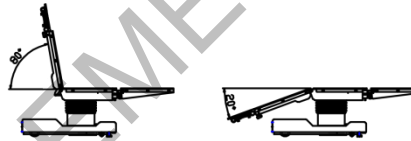


## Trendelenburg Position

Trendelenburg	25°
Reverse-Trendelenburg	25°

## Head Plate

Head Plate up	40°
Head Plate down	90°

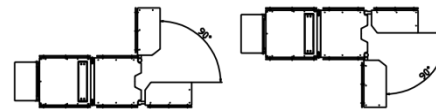


## Back Plate

Back Plate up	80°
Back Plate down	20°

## Leg Plates

Leg Plates up	15°
Leg Plates down	90°



## Leg Plate Horizontal position

Leg Plate left	90°
Leg Plate right	90°



## Lateral Tilt

Lateral Tilt right	15°
Lateral Tilt left	15°

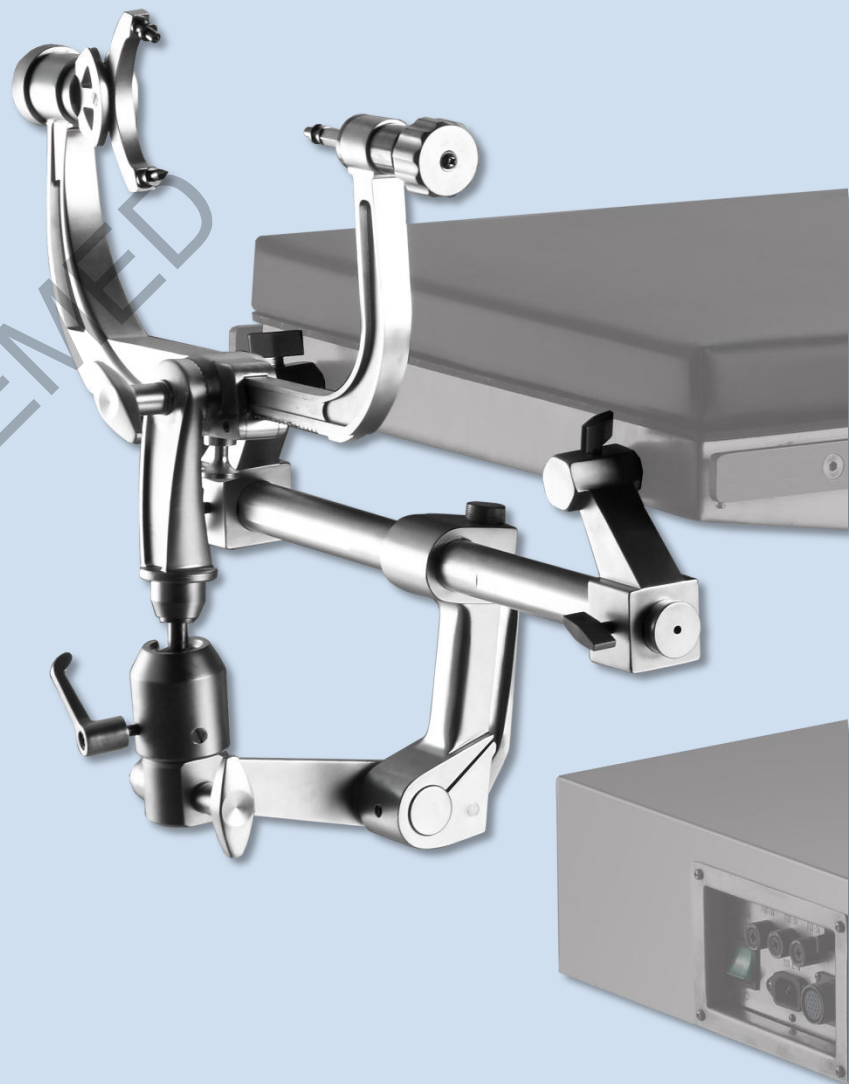


## Kidney Bridge

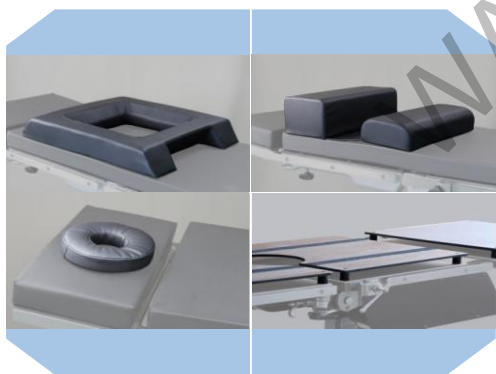
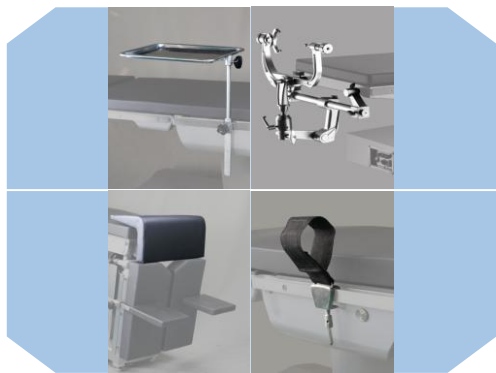
Kidney Bridge elevation	110mm
-------------------------	-------

## STANDARD ACCESSORIES

Anesthetic Screen	1 Piece
Kidney Bridge Handle	1 Piece
Shouder Support	1 Pair
Body Support	1 Pair
Arm Support	1 Pair
Long Fixing Clamp	1 Pair
Leg Support	1 Pair
Foot Support	1 Pair
Fixing Clamp	8 Pieces
Hand Remote	1 Piece
Mattress	1 Set
Power Line	1 Piece



# AOT100 2016 Optional Accessories



# Contact Us



## **WANROOEMED**

**WANROOE MACHINERY CO., LTD.**

Tel:+86 512 58810860

Fax:+ 86 512 58810663

Email:info@wanrooemed.com

Http://wanrooemed.com

[Http://wanrooemed.com](http://wanrooemed.com)