



江苏如翼医疗科技有限公司

JIANGSU ROOE MEDICAL TECHNOLOGY CO.,LTD.

Add: Room1311,1313, Guotai New World Plaza, No19,  
East Renmin Road,Zhangjiagang, Jiangsu, China.

Tel:+86 512 58810663

Whatsapp/Mobile:+ 86-18962287398;15962399164

Email:info@wanrooemed.com

www.wanrooemed.com www.rooemed.com



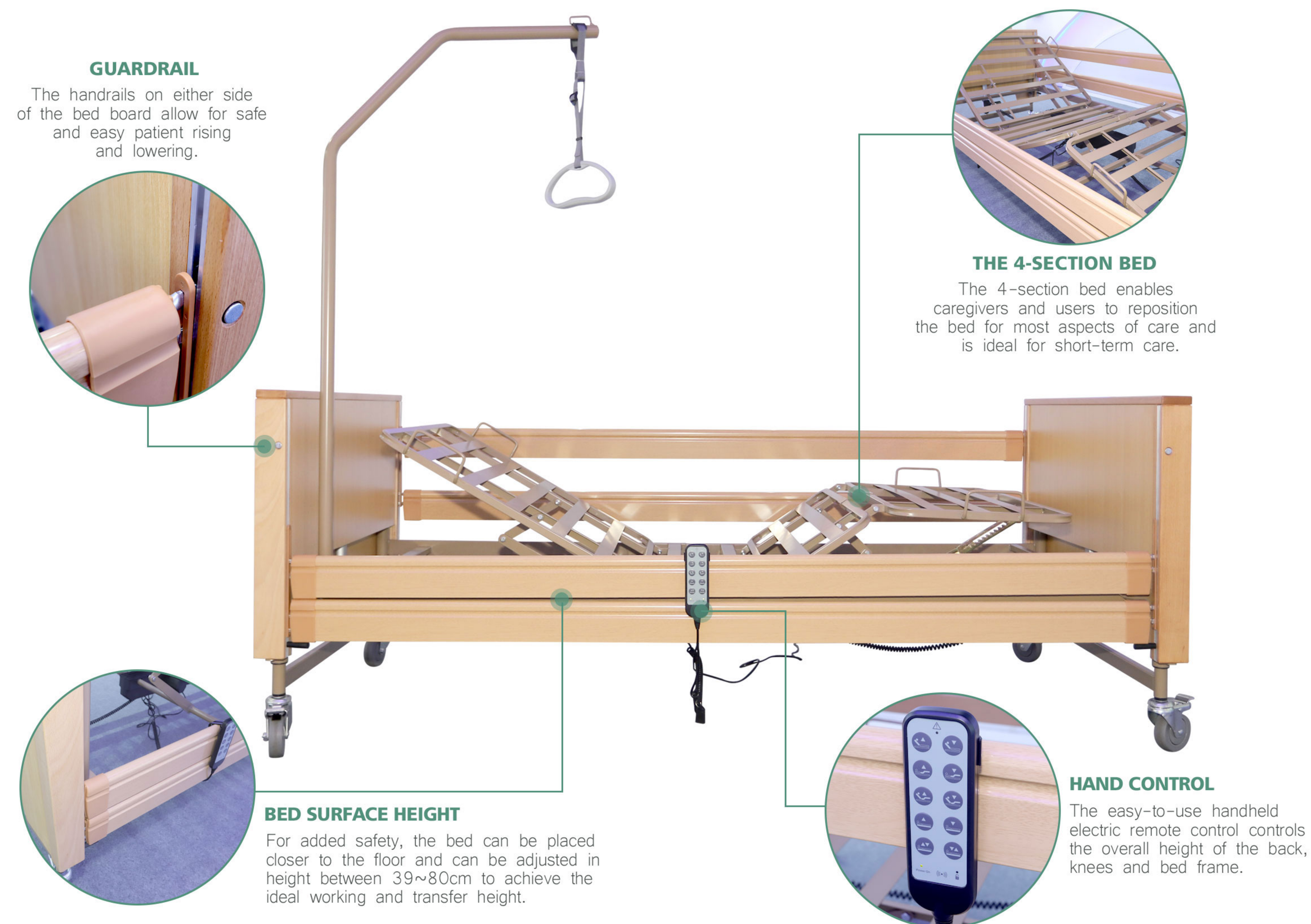
# HOME CARE BED

JIANGSU ROOE MEDICAL TECHNOLOGY CO.,LTD.

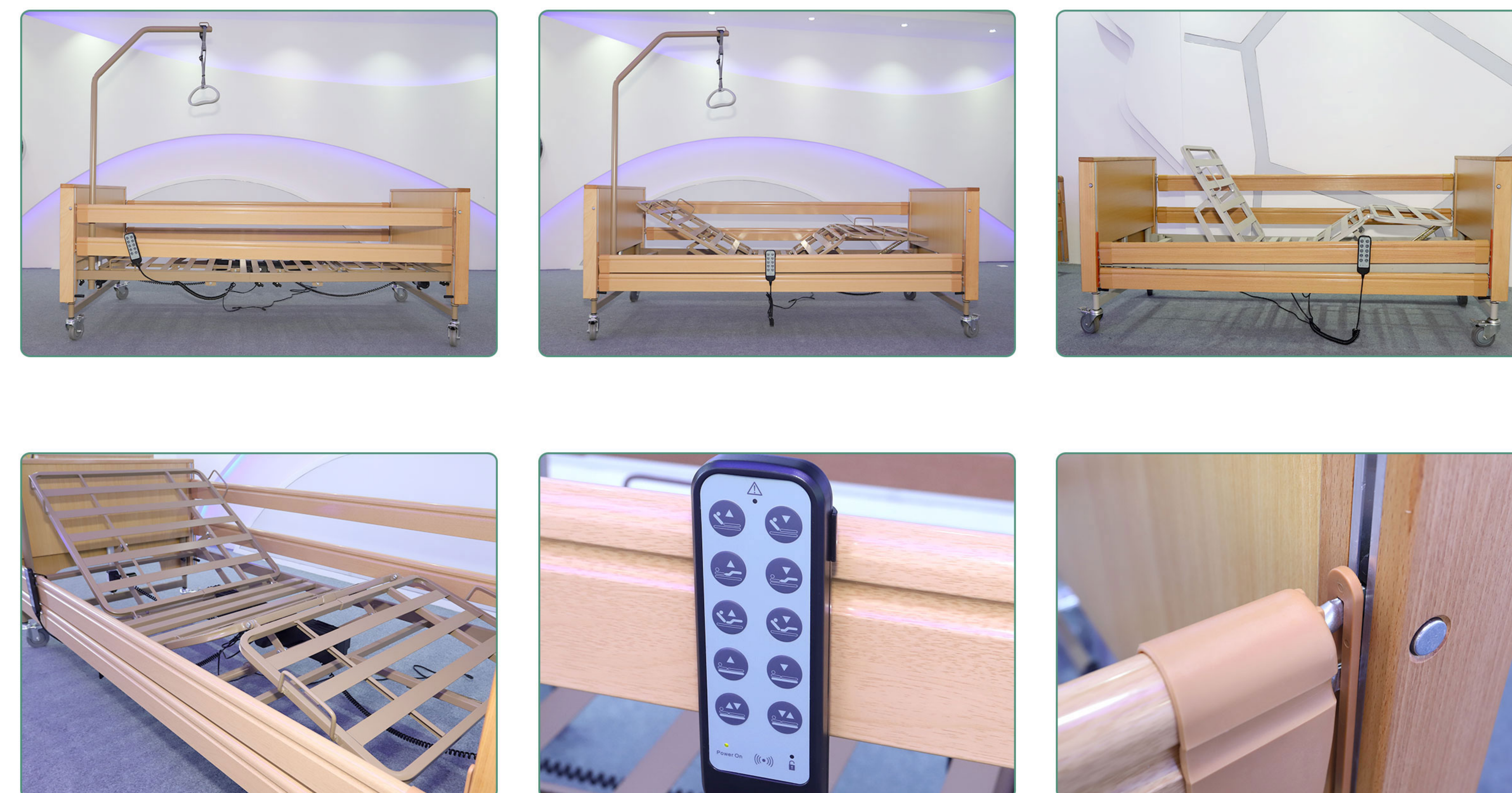
# Full Electric Homecare Bed

## BAE509

Electric homecare bed has become the industry standard for long-term care beds. Nursing home bed price is cheap. With an automatic contour feature that simultaneously elevates the head and knees, residents can stay comfortably in place while better reading, watching TV or talking to family. Simultaneous movement also helps prevent painful skin clipping that can occur during repositioning.



1. The electric bed has a pre-installed motor allowing you to adjust from standard height to low height to meet your changing needs.
2. The bed is strong enough to support a weight of 200 kg.
3. The grey or ivory powder coated bed panels provide durability and reduce the effects of corrosion.
4. The 4-section bed enables caregivers and users to reposition the bed for most aspects of care and is ideal for short-term care. A choice of iron sheet bed tops, wooden slat bed tops and wider bed tops are available.
5. A fully wrapped faux wood head and tailboard makes it easy for patients to get in and out of bed. The wood finish fits your room and is both environmentally friendly and easy to maintain. Optional half-wrapped head and tailboard available.
6. Four pcs 10mm castors provide safety brakes for added security.
7. Tool-free assembly and disassembly for easy installation and storage.
8. High quality wood veneer and full length integrated aluminium faux wood design prevents the patient from falling off the bed. Optional iron painted folding guardrail available.
9. Optional battery for bed control in the absence of power. Lifting bar and hospital grade mattress.



The easy-to-use handheld electric remote control controls the overall height of the back, knees and bed frame, providing maximum comfort and versatility for the patient or caregiver. It can be raised and lowered remotely, designed to reduce the risk of injury and ensure patient safety and comfort through quiet and smooth operation, while giving caregivers peace of mind. The manual control can be plugged into either side of the bed, making it easier for residents to use and is completely waterproof.

Product model	BAE509	BAE509 Children Type
Platform dimension	2000*900mm	1750*680mm
Exterior dimension	2200*1050mm	1890*800mm
Max patient weight	180KGS	180KGS
Safe working load	205KGS	205KGS
<b>Bed Adjustment Range</b>		
Height adjustable range	390-800mm	380-790mm
Back adjustment Angle range	0-70°	0-70°
Leg adjustment Angle range	0-40°	0-25°
Trendelenburg position	-12°	None
<b>Standard accessories</b>		
Motor quantity and brand	4 sets, Chinese brand standard/ Dewart Motor optional	
Water-resistant	IPX4	
Distortion-free, highly stable side rails	Yes	
<b>Option</b>		
Head and footboard	Full wrap-around, half wrap-around	
Bed panel	Iron bed board; Wooden slat bed board; Extra wide bed board (1.2m or 1.4m)	
Side rails	Aluminium square wooden guardrails; Iron plastic painted folding guardrail;	
Other accessories	Backup battery; Lifting pole; Mattress	

# Ultra Low Nursing Care Bed

## BAE509 Plus

Equipped with controls for back, legs and overall changes, the ultra-low bed means it is perfect for those prone to falls or weak feet. Low Height Adjustable Beds has a wide range of uses in terms of functionality, making them ideal for almost any care setting, including hospital, nursing home, and residential care scenarios.



1. Four-stage bedplate construction, made of steel, powder coated, wear-resistant and rust-proof.
2. Two 3" easy-rolling castors at the four ends of the bed for good manoeuvrability.
3. Low noise, high quality four motor system can meet the requirements of medical equipment High strength safety structure design, operation safety protection.
4. Low height design with adjustable height, through the high and low height structure, can be lowered to the ground to reduce falls or raised to waist height, thus more convenient for caregivers or nursing staff.
5. Unique manual controls with 12 button operation to reduce the risk of accidental bed adjustment, with electric remote control for back, knee, Hi/Lo, Trendelenburg and anti-Trendelenburg adjustment.
6. Delicate faux wood head and tail boards with integrated faux wood full length side rails provide maximum comfort for the user and/or convenience for anyone caring for the user.
7. The care beds are designed for use in care facilities, for the NHS, nursing or convalescent homes and private clients and have all the features of a hospital bed.



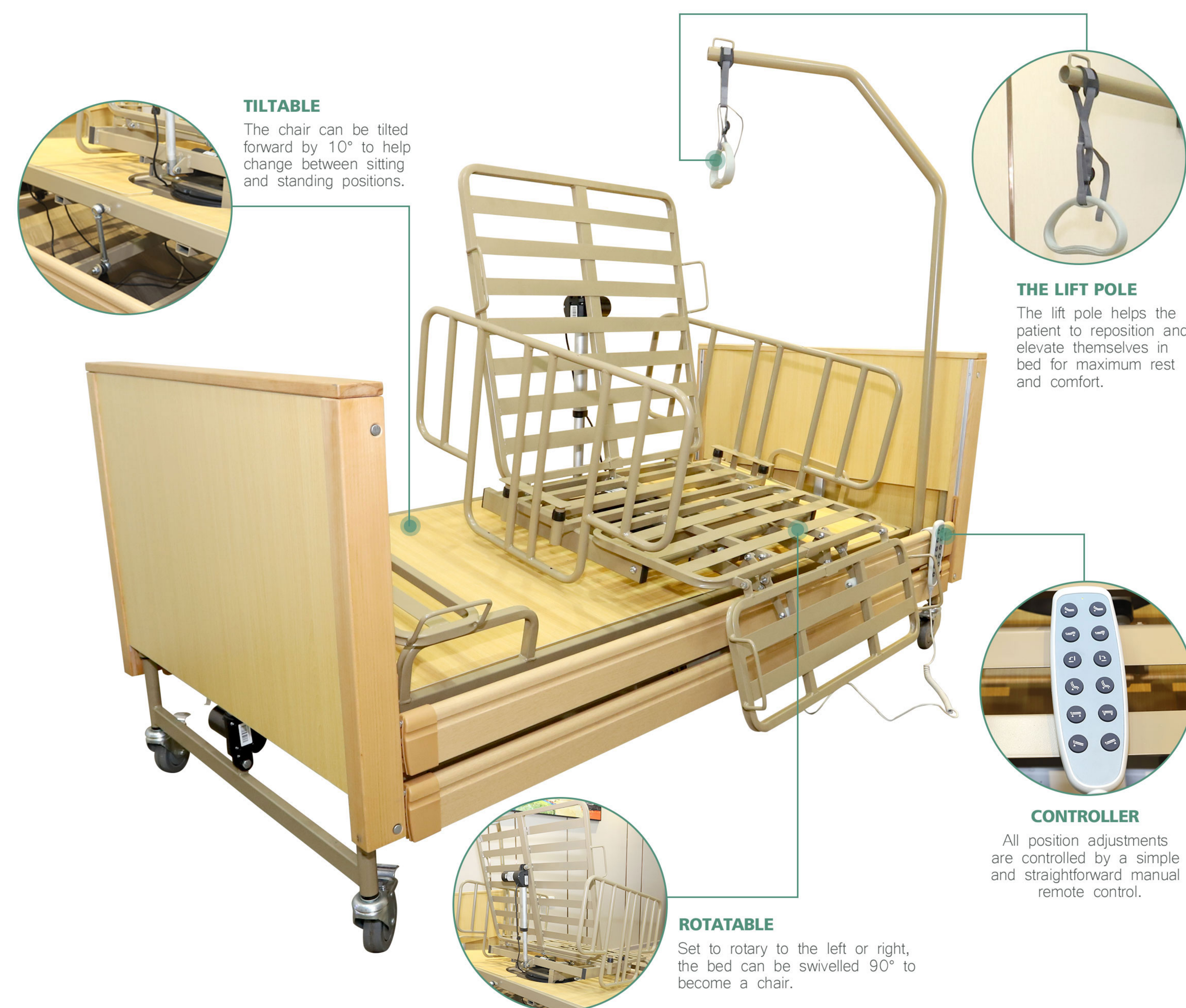
With the touch of a button on the accompanying eight-feature phone, this bed can be adjusted to provide a safe working height for caregivers, as well as an ideal height for patient transfers and other procedures. Home care adjustable bed height can be adjusted from 315mm to 685mm above the ground, providing a range of heights suitable for most needs. Home medical bed uses electric power to save energy for caregivers and is easy to use.

Product model	BAE509 Plus
Bed Surface Size	2000*900mm
Overall Length	2200mm
Overall Width	1015mm
Overall Height	790-1160mm
Bed Surface Height	315-685mm
Input Voltage	220V 50HZ
Weight Capacity	180kg
<b>Bed Adjustment Range</b>	
Back adjustment Angle range	70°
Leg adjustment Angle range	30°
Trendelenburg position	12°
Option	Backup battery; lifting pole; IV pole; Mattress

# Electric Home Care Rotating Bed

## BAE509 Pro

The rotary chair bed is designed to help the user regain mobility, independence and dignity by enabling them to get in and out of bed unaided. It is ideal for people who have difficulty switching between sitting and standing positions but can support their own weight and can walk.



**TILTABLE**

The chair can be tilted forward by 10° to help change between sitting and standing positions.

**THE LIFT POLE**

The lift pole helps the patient to reposition and elevate themselves in bed for maximum rest and comfort.

**CONTROLLER**

All position adjustments are controlled by a simple and straightforward manual remote control.

**ROTATABLE**

Set to rotary to the left or right, the bed can be swivelled 90° to become a chair.

1. The main frame is made of high strength profiled steel tubing with a powder baked finish.
2. The independent motor automatically conforms to the contours of the bed position and provides sufficient power to support a weight of 180kg.
3. Headboard and footboard with faux wood trim.
4. Five-section bed board with double armrests on either side of the bed that fold up when not in use to support the patient during transition.
5. Four-inch castors for easy mobility and a central brake system to ensure safe and reliable use.
6. Wood-like side rails to protect the patient from falling out of bed short beige metal armrests are removable and designed to provide support and comfort for the patient.
7. Has saline holder holes and can be equipped with a saline holder for infusion of fluids.
8. Easy and quick assembly, disassembly, transport and storage with only 1 person.
9. The product is suitable for use in homes, hospitals, nursing homes, etc.



- All position adjustments are controlled by a simple and straightforward manual remote control;
- The caregiver can also lock the remote control to prevent the patient from making any adjustments without supervision. It has an electric back lift with a maximum tilt of 70°, a knee lift and leg lift with a maximum tilt of 30° and a 12° Trendelenburg function;
- Set to rotary to the left or right, the bed can be swivelled 90° to become a chair;
- The chair can be tilted forward by 10° to help change between sitting and standing positions.

Product model	BAE509 Pro
Bed Surface Size	2020mm~800mm
Overall Length	2160mm
Overall Width	1020mm
Bed Surface Height	440mm~840mm
Input Voltage	220V 50HZ
Weight Capacity	180kg
Net Weight	105kg
<b>Bed Adjustment Range</b>	
Back adjustment Angle range	70°
Leg adjustment Angle range	30°
Trendelenburg position	-12°
Rotating adjustment Angle range	90°
Turnover adjustment Angle range	10°
Option	Backup battery; lifting pole; IV pole; Mattress

## Optional Colours



Beech



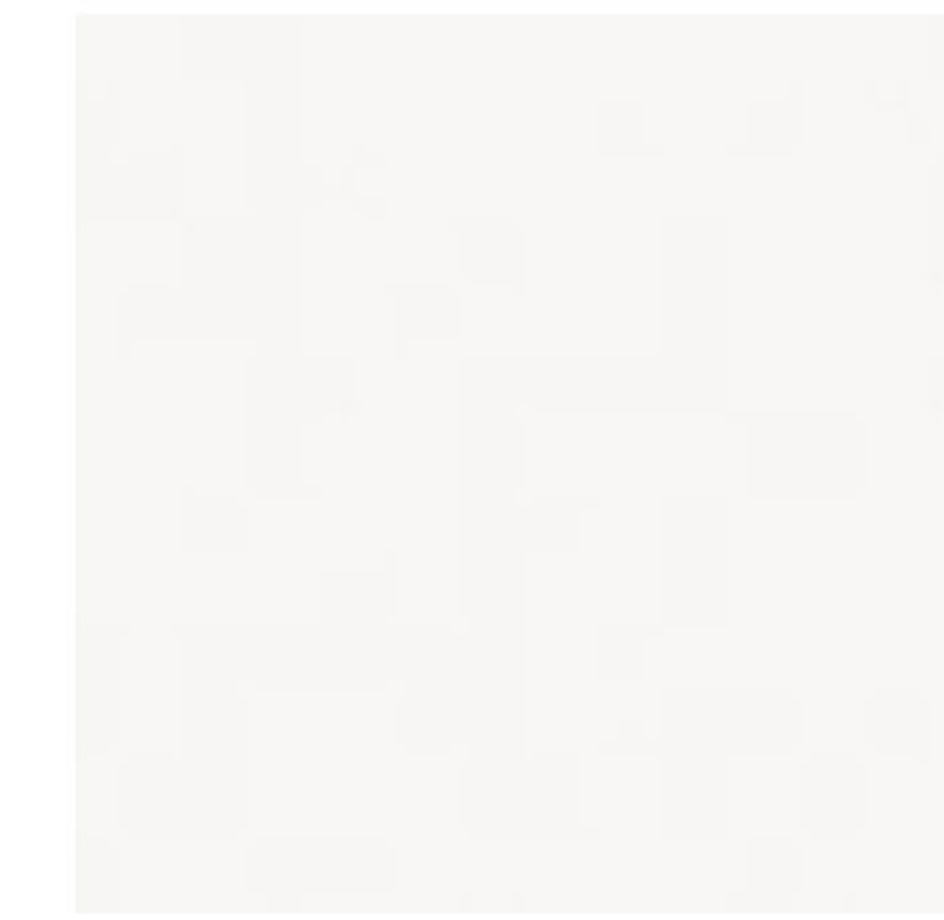
Walnut



Sonoma oak



Royal maple



White

## Optional width



Optional width 80cm



Optional width 100cm

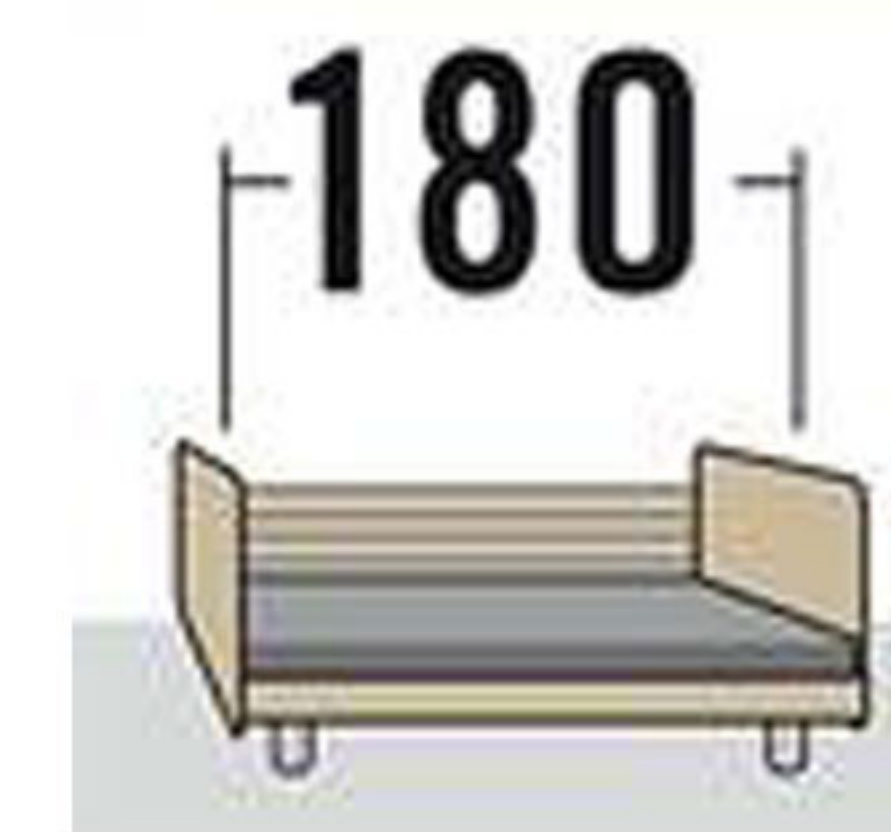


Optional width 120cm



Optional width 140cm

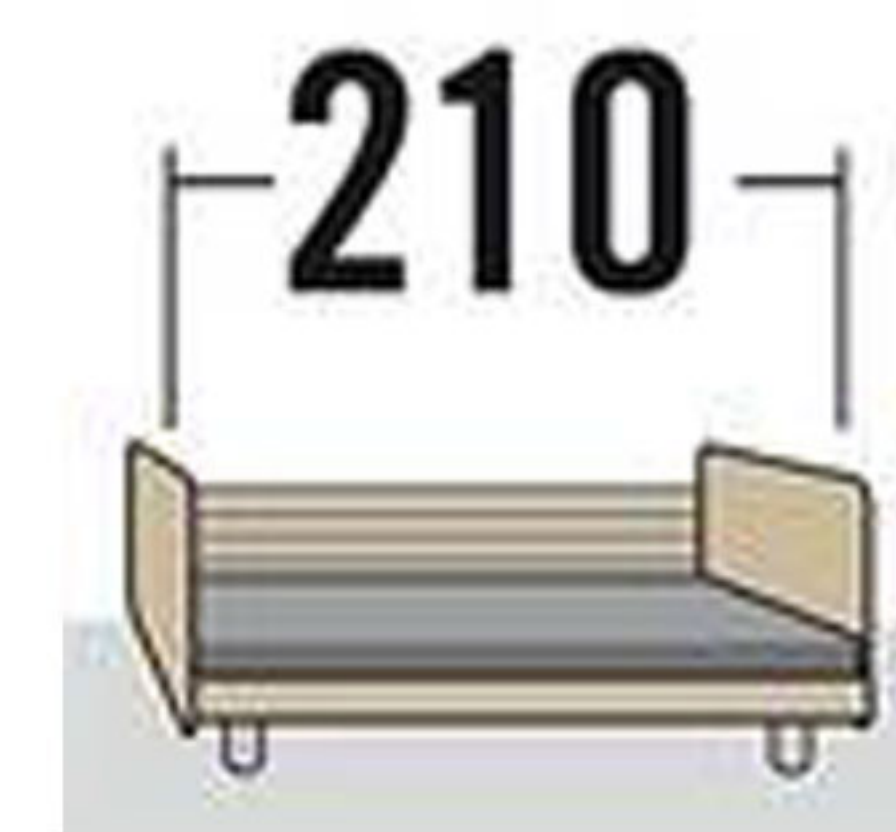
## Optional length



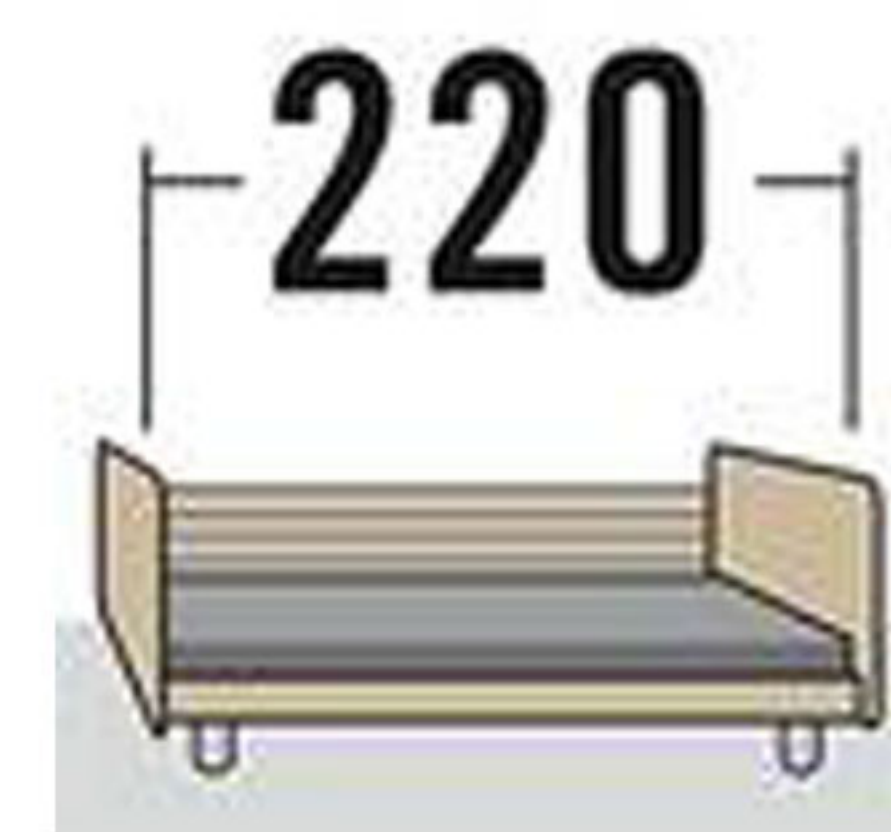
Optional length 180cm



Optional length 190cm



Optional length 210cm



Optional length 220cm



## Lying surfaces



Wooden slats surface



Welded steel frame surface