



ROOETECH LEADS YOU TO HEALTHIER LIFE



江苏如翼医疗科技有限公司

JIANGSU ROOE MEDICAL TECHNOLOGY CO.,LTD.

Add: Room1311,1313, Guotai New World Plaza, No19,
East Renmin Road,Zhangjiagang, Jiangsu, China.

Tel:+86 512 58810663

Whatsapp/Mobile:+ 86-18962287398;15962399164

Email:info@wanrooemed.com

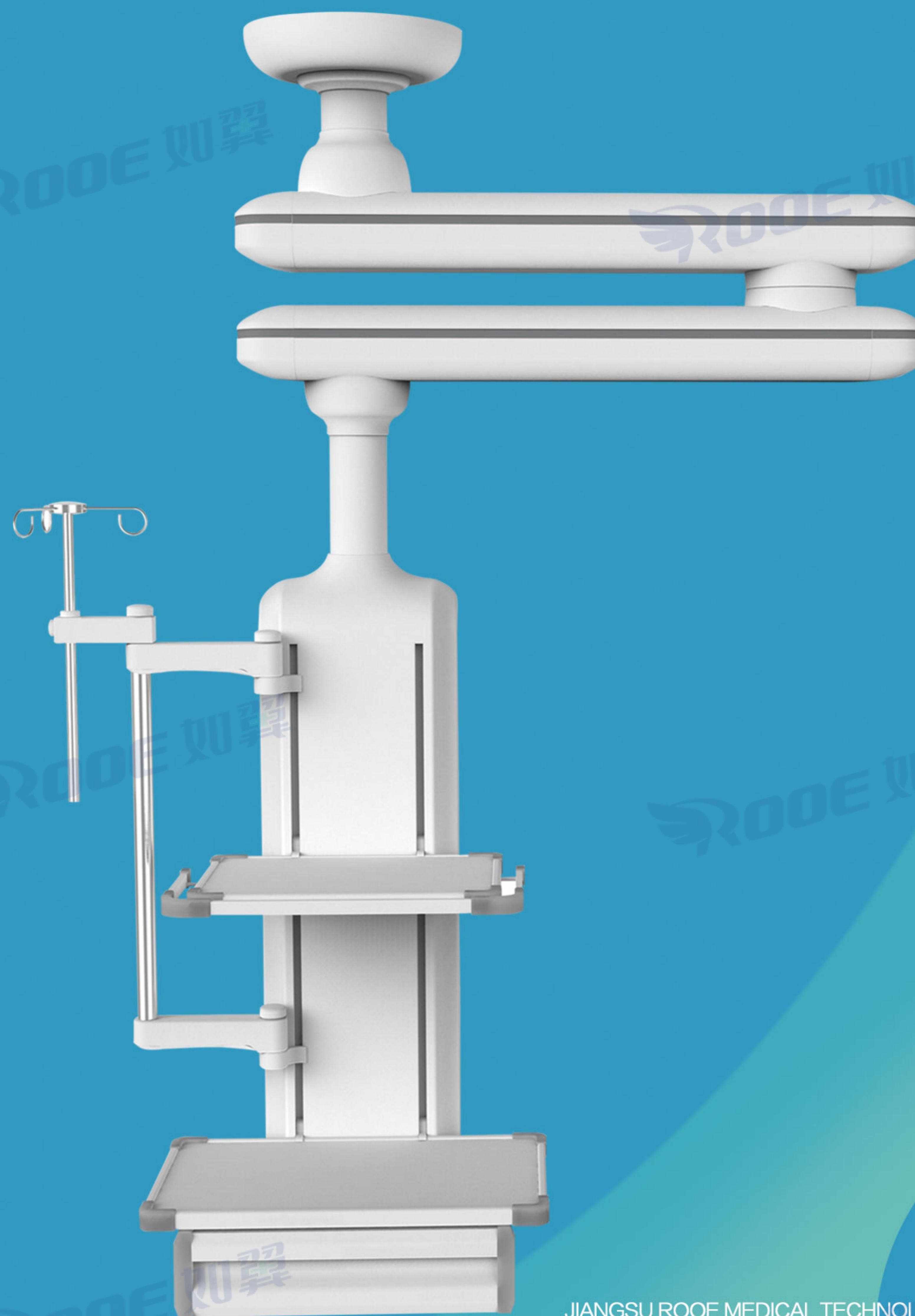
www.wanrooemed.com www.rooemed.com



ROOETECH OR SERIES

CEILING PENDANT

Ceiling Service Solutions For Maximum Flexibility



JIANGSU ROOE MEDICAL TECHNOLOGY CO.,LTD.



MEDICAL CEILING PENDANT SERVICE SOLUTIONS FOR MAXIMUM FLEXIBILITY

安全灵活的设计提供全方位的手术支持，营造干净高效的现代医疗工作环境。
Safe and flexible design provides a full range of surgical support, creates a clean and efficient modern medical working environment.

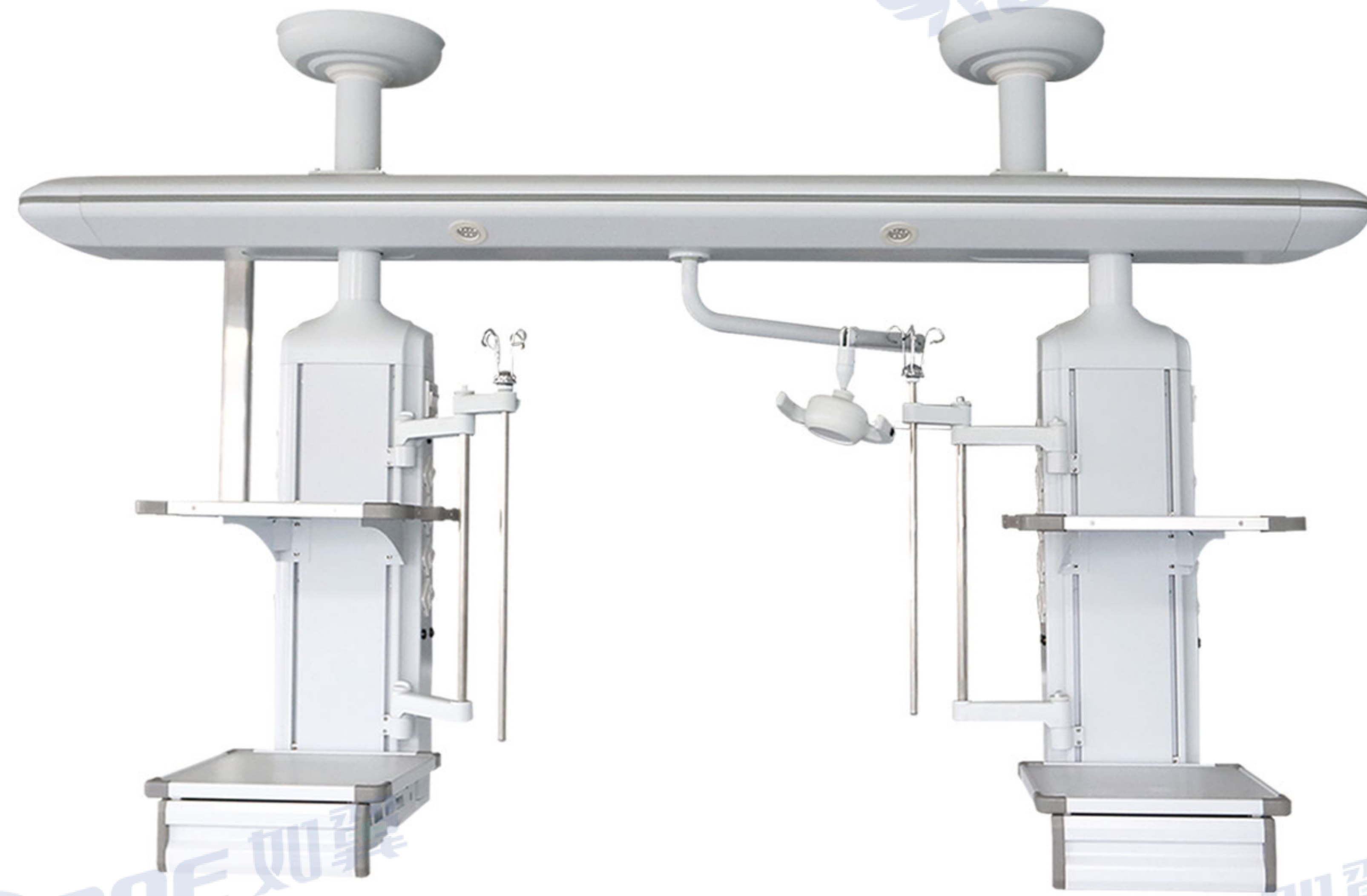
安装在天花板上的吊塔系统可直接向患者提供基本服务，结合了功能和美学，可方便地访问多个气体、电力和数据插座，用于重症监护室、手术室、麻醉室和辅助室。这些吊塔旨在帮助预防感染，通过为临床工作人员提供安全有序的环境来改善工作流程。

The ceiling mounted system provides essential services directly to patients, combining function and aesthetics with easy access to multiple gas, power and data outlets for the intensive care unit, operating room, anesthesia room and auxiliary room. These pendants are designed to help prevent infection, improve workflow by providing a safe and orderly environment for clinical staff.



ICU ROOM BRIDGE TYPE PENDANT

AOT-DT-18C-1



PRODUCT INTRODUCTION

The medical pendant is a bridge-type suspension system specially designed for the ICU intensive care unit, the whole process monitoring and recovery room. All kinds of medical gases, strong and weak electricity, and network output terminals are integrated on the console. The center of the bridge frame is equipped with lighting and treatment lights. Communication paging, monitoring, videophone, background music, teaching and remote consultation systems can also be configured according to requirements.

1. The beam of the pendant tower and the control box are made of high-strength aluminum alloy for one-time extrusion molding, and the surface is sprayed with high temperature.
2. Aluminum alloy one-time molding tray, rounded corner anti-collision design
3. The left and right functional boxes can be electrically moved with a stroke of 200-500mm, and a horizontal rotation angle of ≥ 340 degrees
4. Horizontal movement, precise positioning without drift.
5. The gas pipeline, power supply, and computer communication lines are separated and arranged without interference.
6. The product is equipped with German standard gas terminals as standard, and other gas terminals are optional.



Bridge Body



Drawer



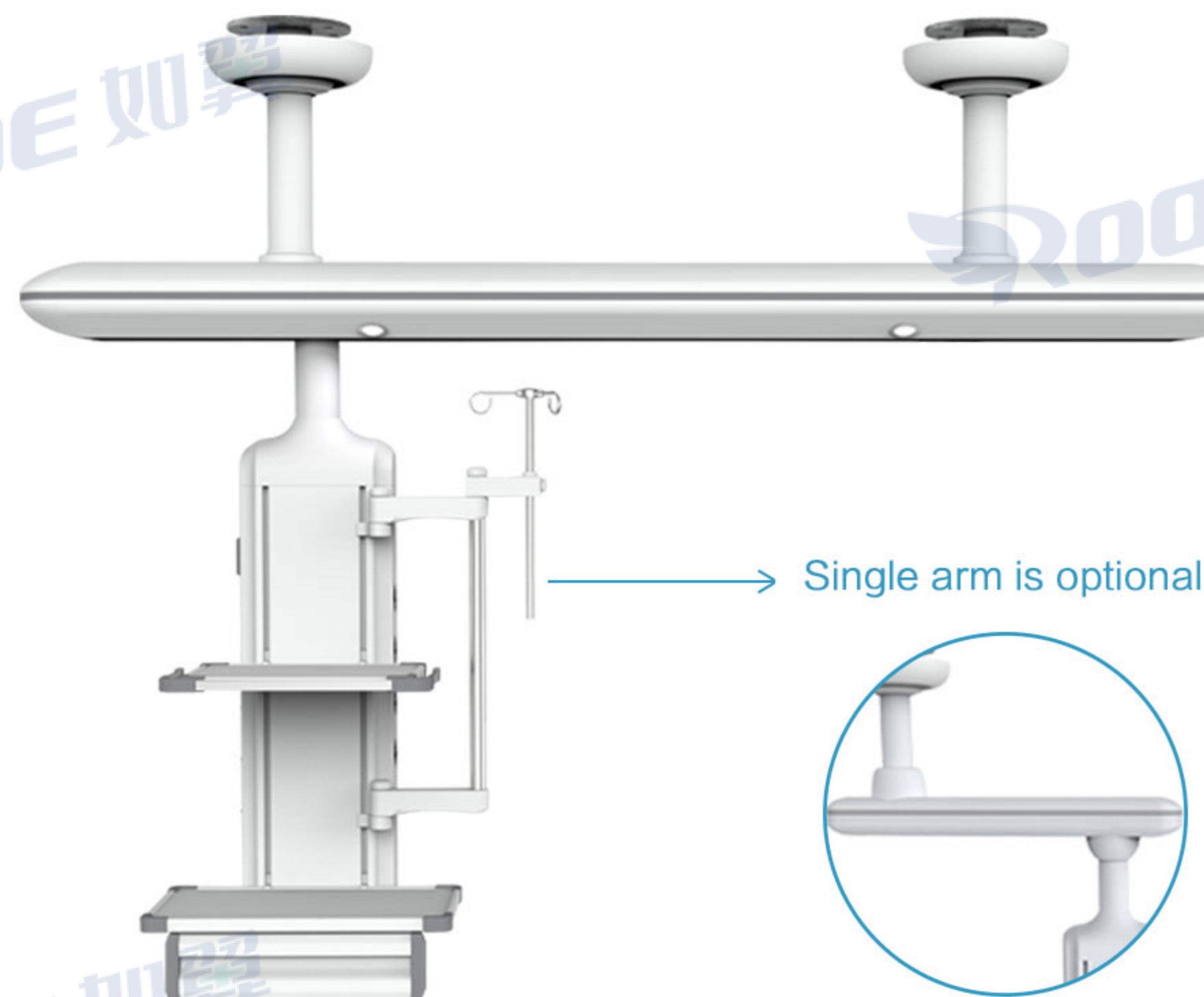
The Light

TECHNICAL PARAMETERS

AOT-DT-18C-1	
Bridge length	2500~3200mm
Working power	AC220V 50Hz
Material	High-strength aluminum alloy
Surface treatment	Electrophoresis and powder coating
Horizontal movement	200~500mm
Level Rotation Angle	340°
Standard Gas Outlets	O ₂ *4, VAC*4, AIR*2
Tray	4 pcs
Sockets	16 pcs (220V/10A)
Grounding Terminal	4 pcs
Network interface	RJ45 4 pcs
Drawer	2 pcs
Stainless steel infusion pump rack	2 sets
Net load capacity	≥ 300 kg
Single tray net load	80kg

ICU ROOM BRIDGE TYPE PENDANT

AOT-DT-18C-6



PRODUCT INTRODUCTION

This pendant is suitable for NICU and small area monitoring area, emergency room, CCU, surgical intensive care unit, etc. Options with long-arm treatment lights, surveillance cameras, high-end nursing systems, call systems, monitor brackets, etc.



Drawer



The Light



Electrical Terminal



Gas Terminal

TECHNICAL PARAMETERS

AOT-DT-18C-6	
Bridge length	1600~2500mm
Working power	AC220V 50Hz
Material	High-strength aluminum alloy
Surface treatment	Electrophoresis and powder coating
Horizontal movement	200~500mm
Level Rotation Angle	340°
Standard Gas Outlets	O2*2, VAC*2, AIR*1
Tray	2 pcs
Sockets	8 pcs (220V/10A)
Grounding Terminal	2pcs
Network interface	RJ45 1 pc
Drawer	1 pcs
Stainless steel infusion pump rack	1 sets
Net load capacity	150kg , single arm:350kgs
Single tray net load	80kg

INFUSION RAILS SYSTEM

AOT-DT-18C-11



PRODUCT INTRODUCTION

The transfusion bridge system combines bedhead unit with medical rail system, collocated the oxygen outlet, vacuum outlet and power sockets, there are IV stands on the bottom. Pretty simple structure, easily using and saving the space, especially applied to the infusion hall and hemodialysis room.



DOUBLE ARM CEILING PENDANT

AOT-DT-45 SERIES



PRODUCT INTRODUCTION

The double arm ceiling pendant is suitable for compact ICU space and makes full use of the ward space. Centralized and professional space layout to maximize the work efficiency of medical staff.



TECHNICAL PARAMETERS

AOT-DT-45	
Working Power	AC220V 50Hz
Material	High-strength Aluminum Alloy
Surface Treatment	Electrophoresis And Powder Coating
Level Rotation Angle	340°
Parameter For Each Pendant	
Standard Gas Outlets	O2*2, VAC*2, AIR*1
Tray	2 pcs
Sockets	8 pcs (220V/10A)
Grounding Terminal	2 pcs
Network Interface	RJ45 1 pc
Drawer	1 pcs
Stainless Steel Infusion Pump Rack	1 sets
Net Load Capacity	≥350kg
Single Tray Net Load	80kg

ENDOSCOPIC PENDANT

AOT-DT-40



TECHNICAL PARAMETERS

AOT-DT-40	
Working power	AC220V 50Hz
Moving radius	1000mm for single arm/800+800mm for double arm
Material	High-strength aluminum alloy
Surface treatment	Electrophoresis and powder coating
Level Rotation Angle	340°
Standard Gas Outlets	O2*2, VAC*2, AIR*1
Tray	3 pcs
Sockets	8 pcs (220V/10A)
Grounding Terminal	2pcs
Network interface	RJ45 1 pc
Drawer	1 pcs
Stainless steel infusion pump rack	1 sets
Net load	Single arm:200KG/Double arm:150KG/upright column:100KG
Single tray net load	50kg

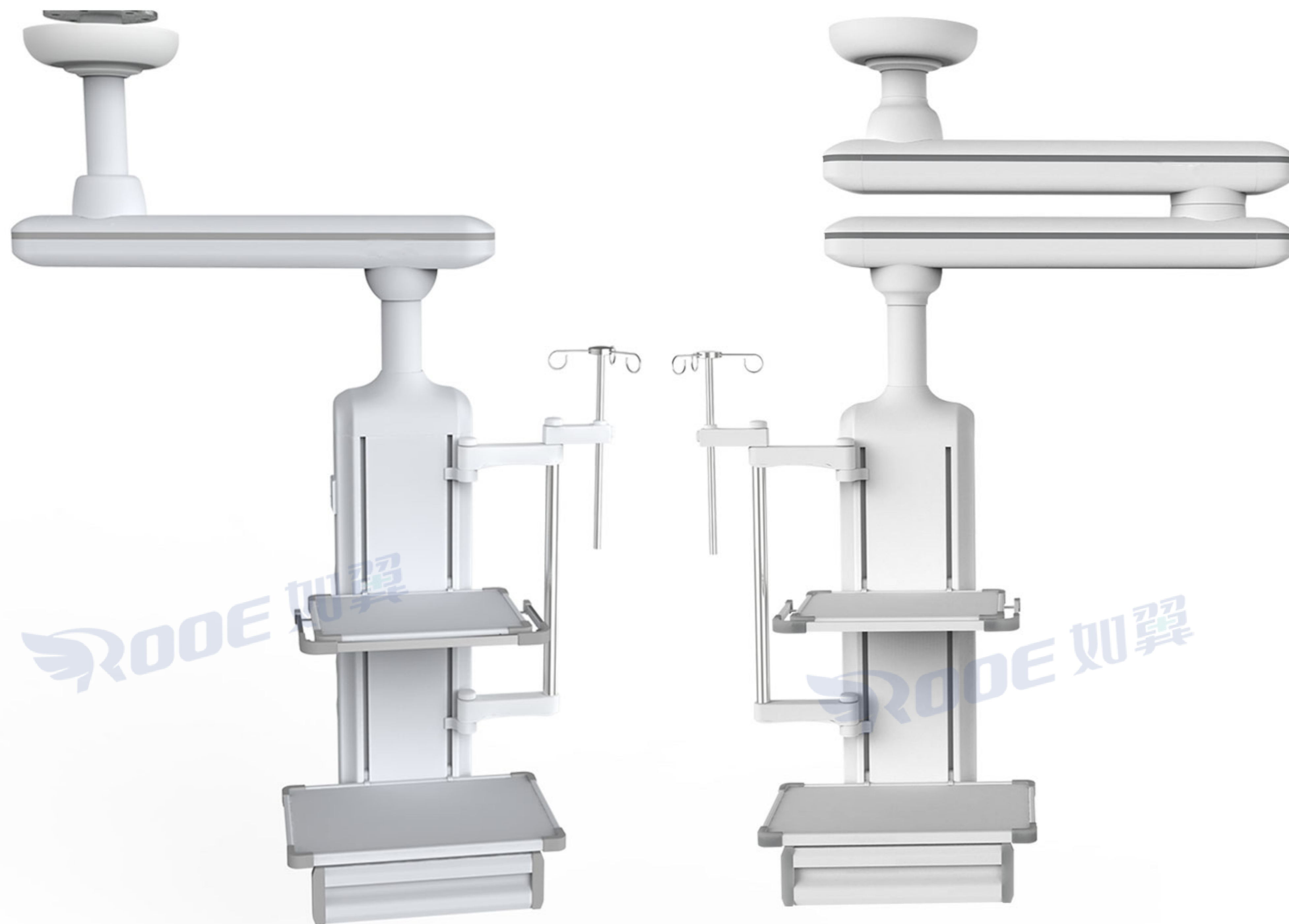
PRODUCT INTRODUCTION

As the carrying platform of endoscopic treatment equipment, the endoscopic tower provides a full range of services for surgical work. The endoscopic pendant adopts ceiling suspension with high load capacity. The tower body and cross arm can rotate 340 degrees. The pendant body is equipped with multi-layer. The height of the equipment platform and medical gas, power supply, network output and other terminals can be raised and lowered electrically, which is easy to operate and easy to use.



SURGICAL PENDANT

AOT-DT-360

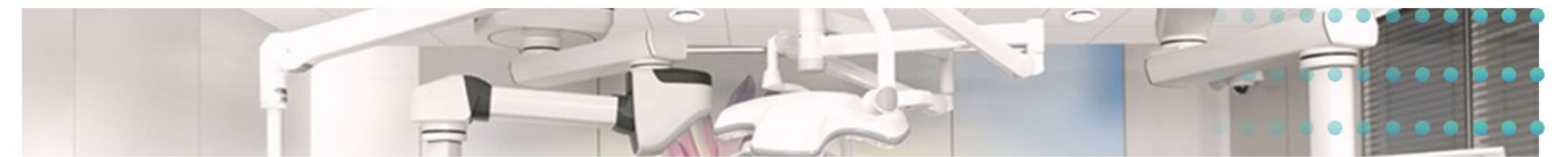


Single Arm Pendant

Double Arm Pendant

PRODUCT INTRODUCTION

The electric surgical pendant is a kind of medical auxiliary equipment suitable for ICU wards and emergency rooms. It provides air source, power supply, instrument platform, and network output, so that the management of equipment and cables is orderly, and the work process is improved.



TECHNICAL PARAMETERS

AOT-DT-360	
Working power	AC220V 50Hz
Moving radius	1000mm for single arm/800+800mm for double arm
Lifting range	300mm
Material	High-strength aluminum alloy
Surface treatment	Electrophoresis and powder coating
Level Rotation Angle	340°
Standard Gas Outlets	O2*2, VAC*2, AIR*1
Tray	3 pcs
Sockets	8 pcs (220V/10A)
Grounding Terminal	2pcs
Network interface	RJ45 1 pc
Drawer	1 pcs
Stainless steel infusion pump rack	1 sets
Net load	Single arm:350KG/Double arm:250KG/upright column:150KG
Single tray net load	80kg

ANESTHESIA PENDANT

AOT-DT-350D



PRODUCT INTRODUCTION

The anesthesia pendant is a key piece of equipment in operating rooms and intensive care units, and the ceiling should allow easier access to medical gas and electricity during surgery or anesthesia.



Network Communication Interface



Gas Terminal



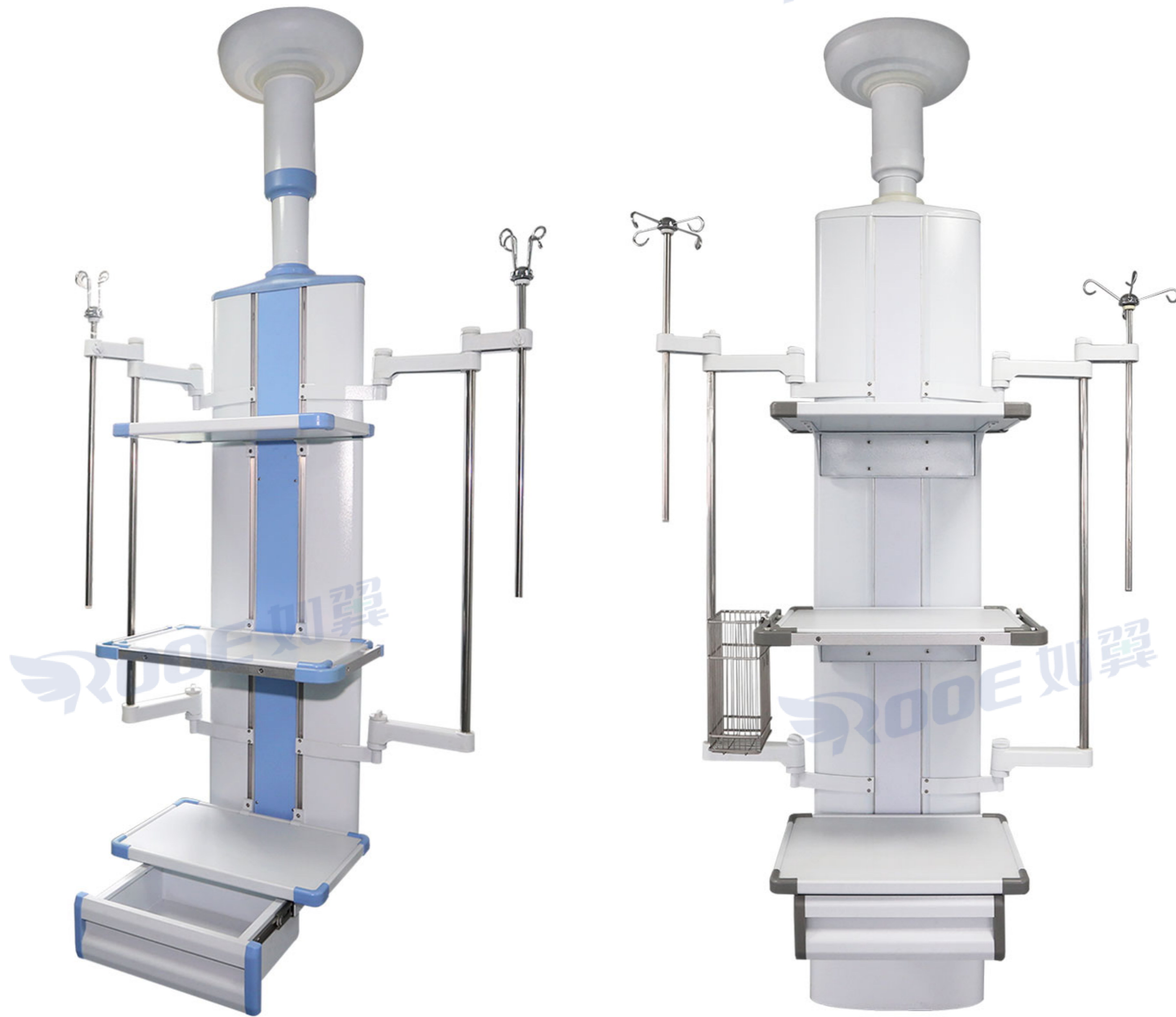
Special Hook For Anesthesia Machine

TECHNICAL PARAMETERS

AOT-DT-350D	
Working power	AC220V 50Hz
Moving radius	1000mm
Lifting range	300mm
Material	High-strength aluminum alloy
Surface treatment	Electrophoresis and powder coating
Level Rotation Angle	340°
Standard Gas Outlets	O2*2, VAC*2, AIR*1, N2*1, CO2*1, N2O*1, AGSS*1
Tray	1 pcs
Sockets	8 pcs (220V/10A)
Grounding Terminal	2pcs
Network interface	RJ45 1 pc
Drawer	1 pcs
Stainless steel infusion pump rack	1 sets
Net load	350KG
Single tray net load	80kg

MEDICAL COLUMN PENDANT

AOT-DT-2V



Ceiling Type

Floor Type

PRODUCT INTRODUCTION

The medical column pendant provides medical aid assistance for the intensive care ward and the emergency room. The control board gathers various terminals such as medical gas, electricity and network. Medical instruments can be placed on a board or in a drawer. The device is an ideal workstation for medical workers.



TECHNICAL PARAMETERS

AOT-DT-2V	
Working power	AC220V 50Hz
Horizontal rotation angle of the column body	180 degree
Material	High-strength aluminum alloy
Surface treatment	Electrophoresis and powder coating
Standard Gas Outlets	O2*2, VAC*2, AIR*1
Tray	3 pcs
Sockets	8 pcs (220V/10A)
Grounding Terminal	2 pcs
Network interface	RJ45 1 pc
Drawer	1 pcs
Injection pump rack and infusion pump rack	2 sets
Storage container	1pc
Net load	150KG
Single tray net load	80kg



ICU CEILING BRIDGE PENDANT

AOT-DT-18C



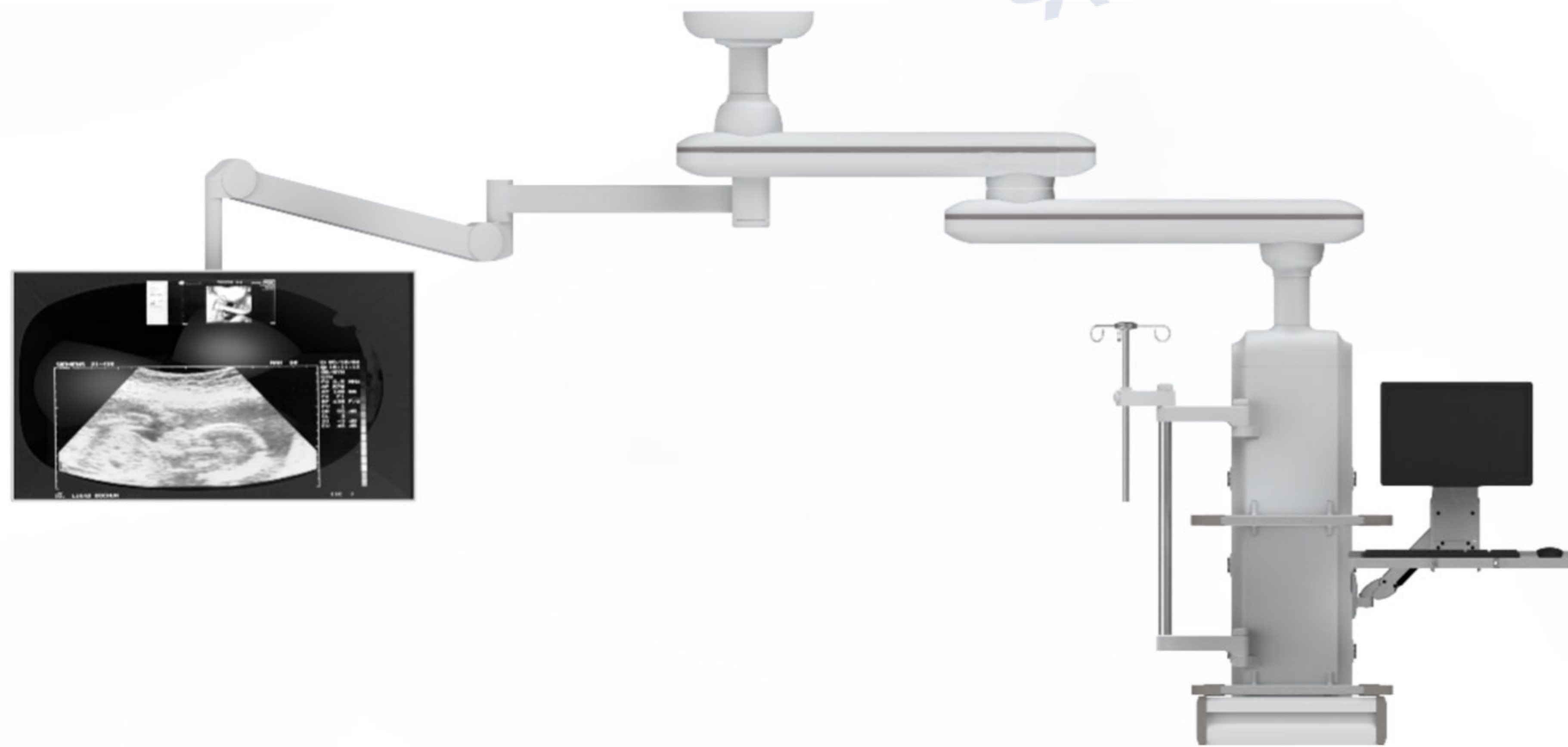
PRODUCT INTRODUCTION

ICU Ceiling Bridge Pendant is suitable for the compact ICU space, and two or more suspension bridge modules are connected end to end to improve the space utilization rate of the ICU and save treatment space.



DOUBLE-ARM ENDOSCOPE PENDANT

AOT-DT-100



PRODUCT INTRODUCTION

The double-arm endoscope pendant is a high-load-capacity device specially designed for the endoscopy center. It adopts the ceiling suspension method. The tower body and high-strength arms can rotate 340 degrees. The multi-joint configuration is equipped with pneumatic brakes to prevent drifting. The pendant is equipped with multiple layers, oxygen, negative pressure, air, carbon dioxide medical gas terminals and power input, and network socket, etc., it can be operated quickly and easily.



TECHNICAL PARAMETERS

AOT-DT-100	
Working power	AC220V 50Hz
Electrical box length	1200mm
Material	High-strength aluminum alloy
Surface treatment	Electrophoresis and powder coating
Standard Gas Outlets	O2*2, VAC*2, AIR*1, CO2*1
Tray	3 pcs
Sockets	8pcs (220V/10A) and one socket special socket for high-frequency electro-surgical unit
Grounding Terminal	2 pcs
Network interface	RJ45 1 pc
Drawer	1 pcs
Injection pump rack and infusion pump rack	2 sets
Storage container	1pc
Net load	250KG
Single tray net load	80kg
Adjustable endoscope hanger	which can hang 2 endoscopes, the hanger can be adjusted in height, and can be adjusted by rotating left and right
Dual Articulating Heavy Duty Monitor Arm	1 set, Activity range: (radius) ≥ 1600 mm Left and right rotation angle ≥ 340 degrees up and down rotation angle -15 degrees $\sim +15$ degrees monitor up and down range: 1060mm

PROJECT CASE



ACCESSORIES

Disposable oxygen inhaler B	Disposable oxygen inhaler A	Oxygen inhalator (simple)	External hanging oxygen inhaler
External hanging waste liquid collection device	Waste liquid collection device	Oxygen inhalator (All metal)	Negative pressure regulating valve
All kinds of standard medical terminals	Various interface medical terminals	Gas terminal	AGSS jet is abandoned
Format terminal plug	Imported medical trachea	Stainless steel storage basket	



ACCESSORIES